

NUMMECH PRODUCTS

SHOCKER SFT-TO-NXT EYE RETROFIT

These are install notes on retrofitted bodies from ZDSPB or Nummech. Mixing and matching NXT/SFT eyes/eyecovers can lead to parts combinations that Smart Parts didn't intend to see.

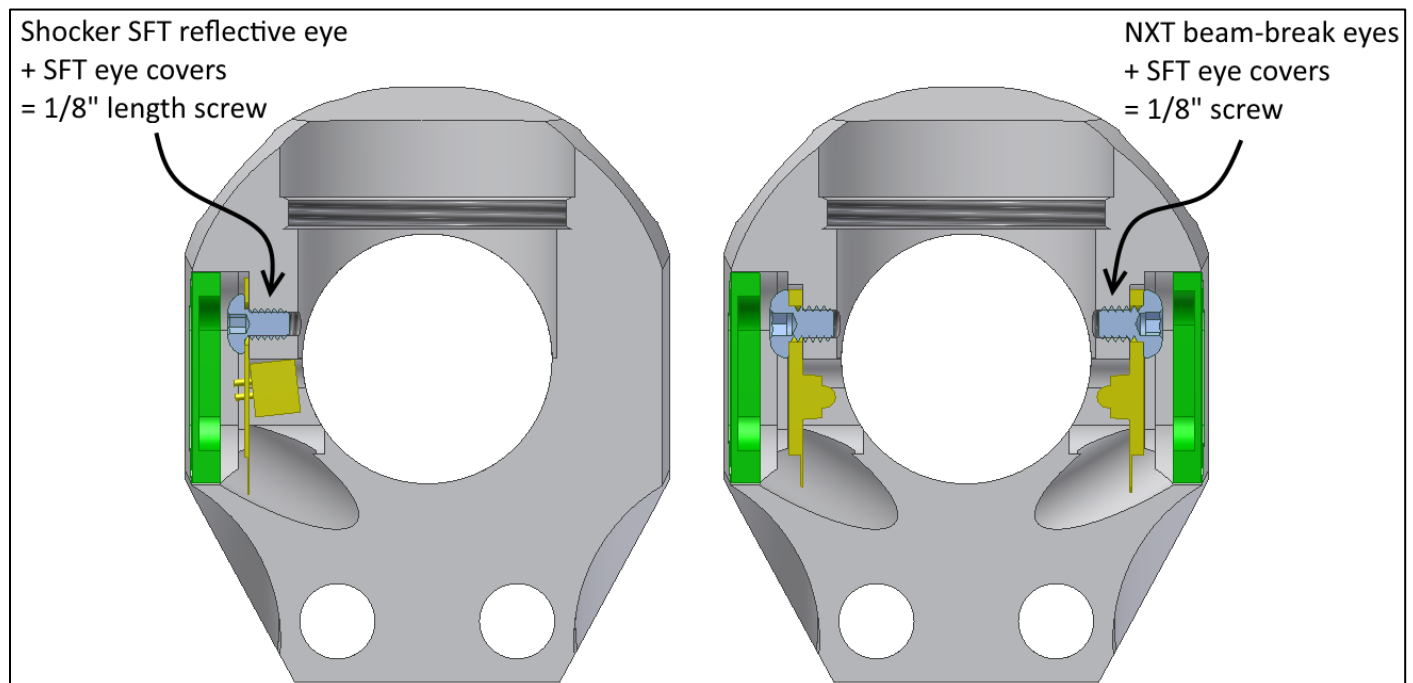
Compatibility:

This mod is compatible with all types of eyes and eye covers. However, the eye screw length depends on your eye cover. All beam-break mods from Nummech/ZDSPB have been re-tapped for 3-48 threads, which is different than the factory SFT screws. Therefore the marker will no longer use SFT stock eye screws.

If using SFT eye covers, use the new included set of new shorter screws. (3-48 thread x 1/8" length)

If using NXT eye covers, use NXT stock screws. (3-48 thread x 3/16" length)

After installing your eyes, look inside the feedneck to make sure they don't protrude too far into the chamber.



Shown above is a stock "unmodified" reflective eye (left) and a modified body using SFT-style eye covers (right).