

Visual reference for PneuMag Modification Parts

Fabco-Air MSV-2

(Miniature Shuttle Valve) <http://airinc.thomasnet.com/viewitems/all-categories/special-purpose-valves?&forward=1>



Fabco-Air MSV-1

(Miniature Shuttle Valve) <http://airinc.thomasnet.com/viewitems/all-categories/special-purpose-valves?&forward=1>

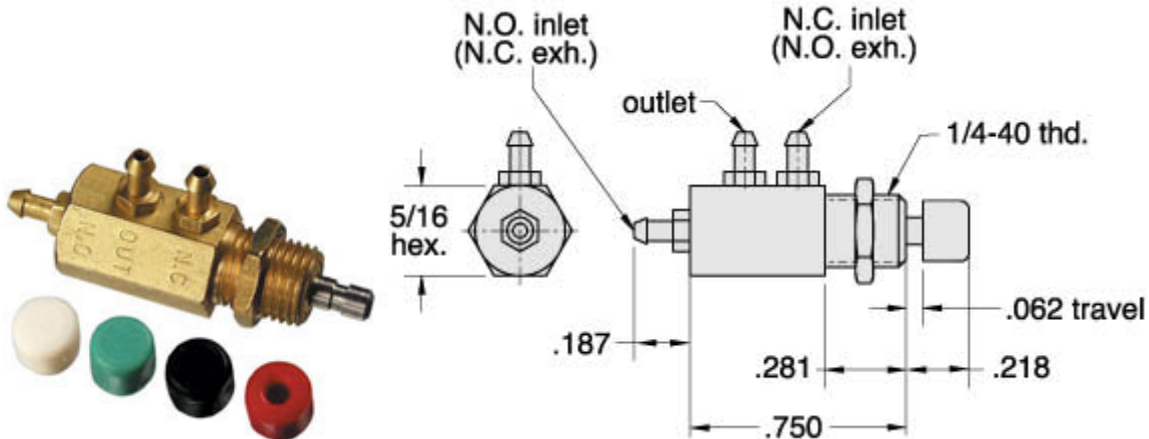


Clippard SMAV-3

(3-WAY NC/NO SUBMINIATURE VALVE)

You can find a lot of Clippard Parts here:

http://www.airsoldier.com:8080/cgi-bin/mivavm?Merchant2/merchant.mvc+Screen=SFNT&Store_Code=AOS

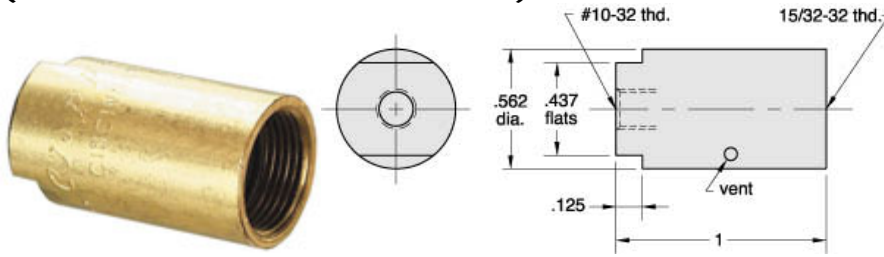


You can find a lot of Clippard Parts here:

http://www.airsoldier.com:8080/cgi-bin/mivavm?Merchant2/merchant.mvc+Screen=SFNT&Store_Code=AOS

Clippard MPA-3

(AIR PILOT ACTUATOR 3/8" BORE)



SS MPA-3 Rams \$3.75 each

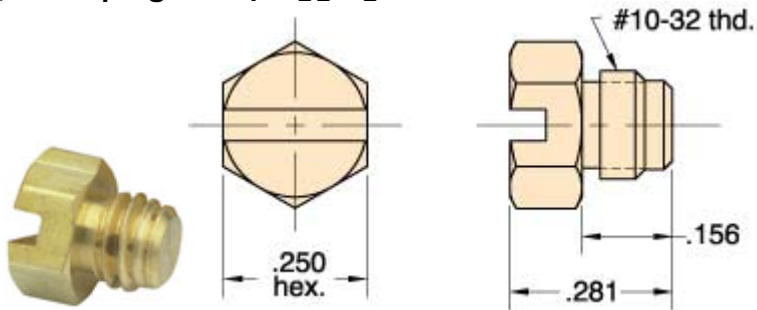
Used inside the MPA-3

<http://www.lukescustoms.com/page0017.htm>



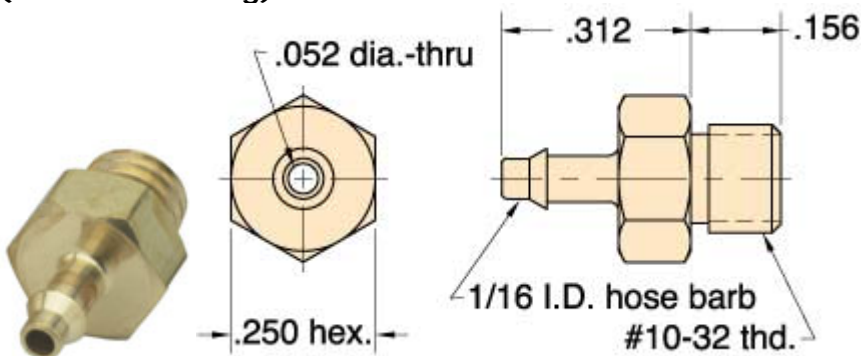
Clippard 11755

(screw plug - for plugging unused hole in minifolds, air lines and other devices.)



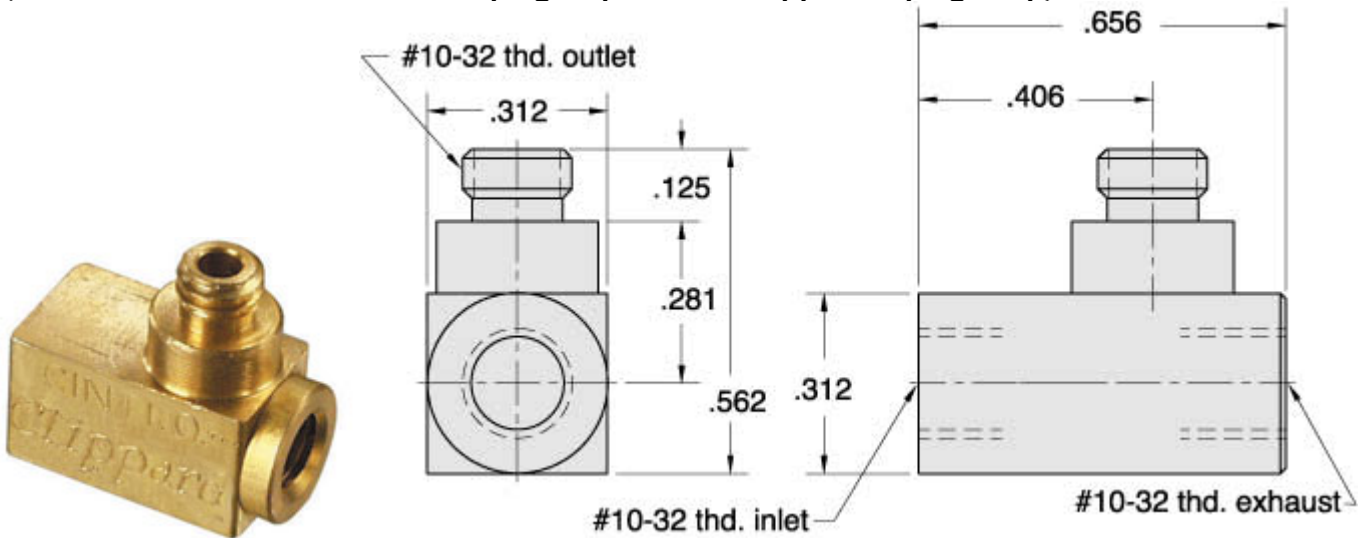
Clippard 11752-5

(minimatic fitting)



Clippard MEV-2

(Miniature exhaust valve - at 50 psig - opens after approx 5 psig drop)



Palmers Micro Rock

(Micro Rock, same performance and reliability as the venerable Rock regulator but no relief valve. Recommended for regulated air supply and "low pressure" equipment. Generally any LPR will work for this mod)

<http://www.palmer-pursuit.com/online-catalog/rock.htm>

OD: 0.875" (7/8")

Length: 2.3"

Output: 10-32 female

Input: 1/8" npt 27 male

Max input psi: 1500

Psi out: 0-300

Weight: 2.5 oz



Pneumatic Mag Trigger Frame Setup:

